

ARC

Cut Media on TDS300 or TDS400

If the material does not have a straight leading strip, you can cut the material at right angles from the roll.

Cut the material from roll 1 or roll 2

1. After replacing the roll.
2. Open the drawer, and the bottom cover if cutting Roll 2.
3. Feed the paper manually until it is 2 inches above the top drawer.
4. Press the On-line key to put the printer off-line (light off).
5. Close the paper drawer.
6. Press Next/select to enter the 'Media settings' menu.
7. Press the ◀ key once to select 'Cut media'.
8. Press Next/select to cut the paper.
9. Open the paper drawer.
10. Remove the scrap of material.
11. Put the material back into position (see figure 1 below for Roll 1) & (see figure 2 below for Roll 2).
12. Close the drawer.
13. Press the On-line key to put the printer on-line again.

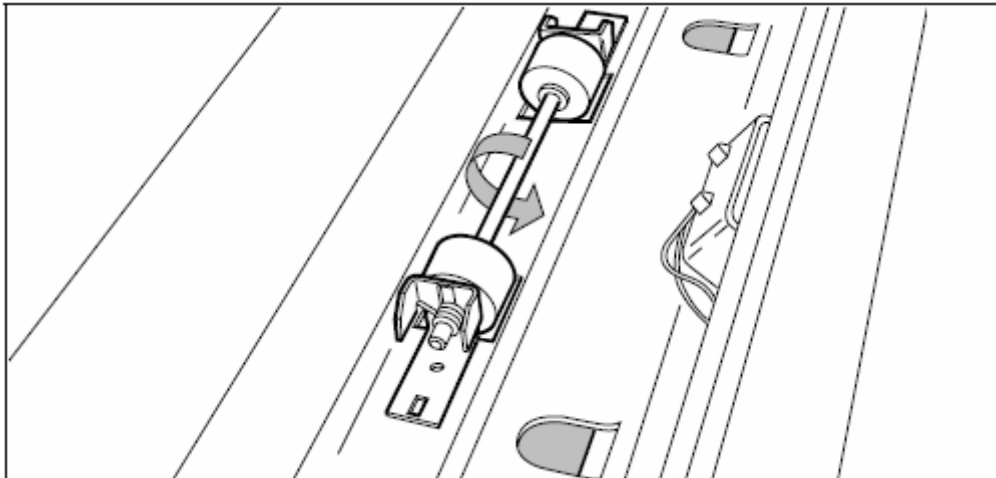


Figure 1. Roll 1

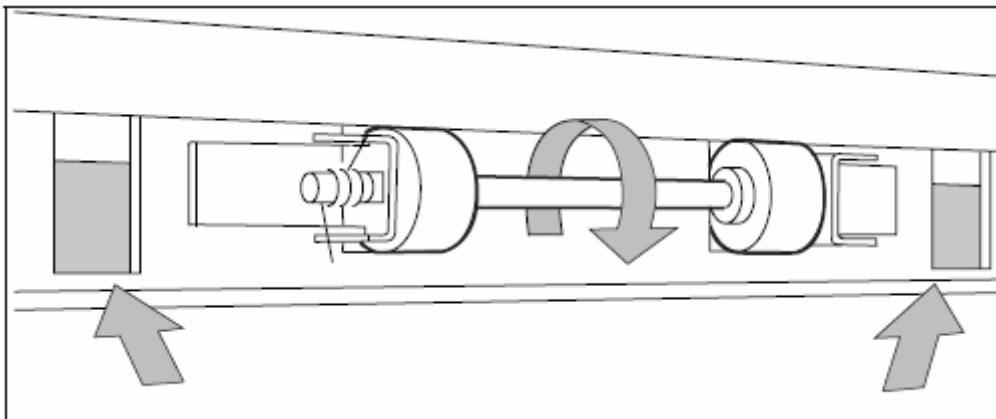


Figure 2. Roll 2

CENTRAL

1322 V Street
Sacramento, CA 95818
(916) 443-1322
(800) 942-COPY
(916) 442-5305 FAX

JUNIOR

3235 Sunrise Blvd.
Rancho Cordova, CA 95670
(916) 635-COPY
(800) 628-6305
(916) 635-3965 FAX

ROSEVILLE

1000 Sunrise Ave.
Roseville, CA 95661
(916) 782-8000
(800) 326-8001
(916) 782-8508 FAX

DOCUMAT

1103 North B Street
Sacramento, CA 95814
(916) 447-SCAN
(800) DOCUMAT
(916) 443-5638 FAX

DAVIS

2860 West Covell Blvd.
Davis, CA 95616
(530) 753-4540
(530) 753-4139 FAX

RENO

3515 Airway Dr. #203
Reno, NV 89511
(775) 853-6005
(775) 853-6008 FAX